



The art of power and perfection

# PNEUMATIC ACTUATORS

## ACT-300

PDS-AC-300 Rev. 5



Manufacturing program:

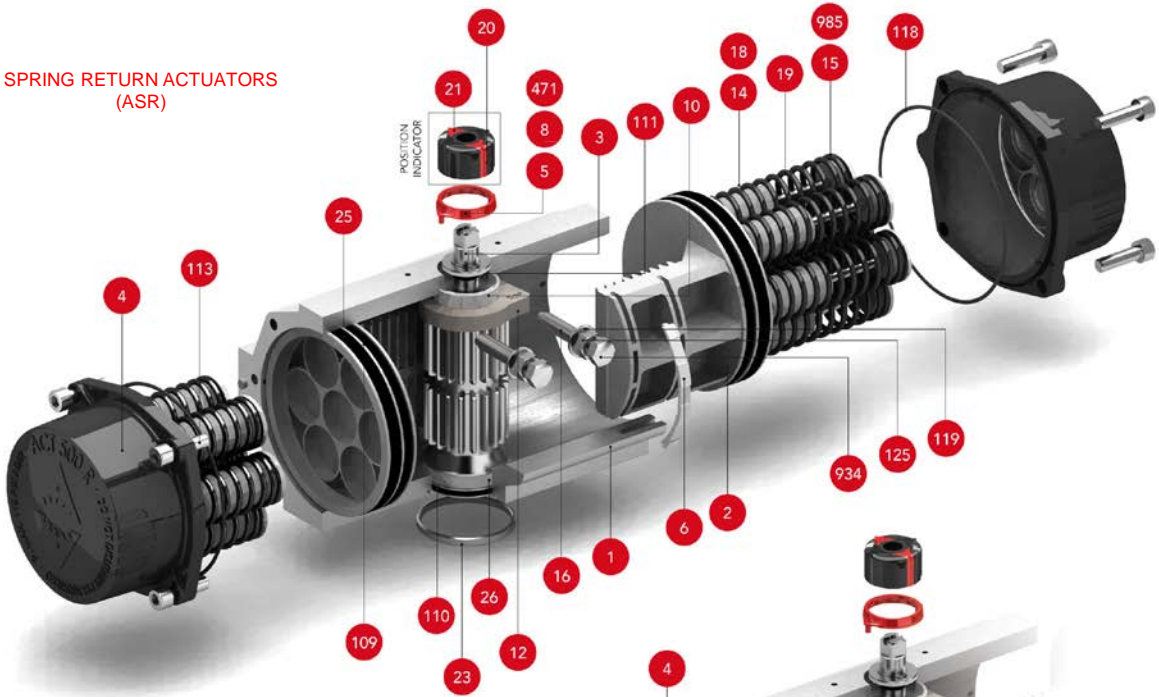
Ex II 2 G D c – LCIE 05 AR 022

Quality & Environmental Management:



## TECHNICAL FEATURES

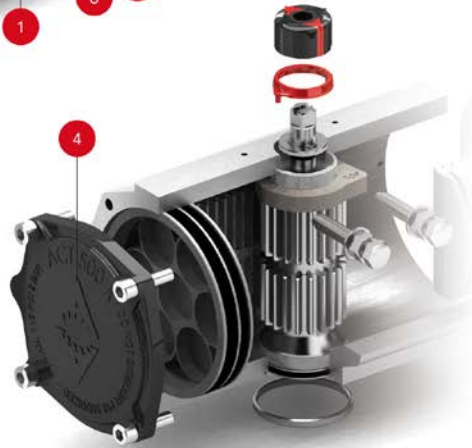
### SPRING RETURN ACTUATORS (ASR)



### POSITION INDICATOR



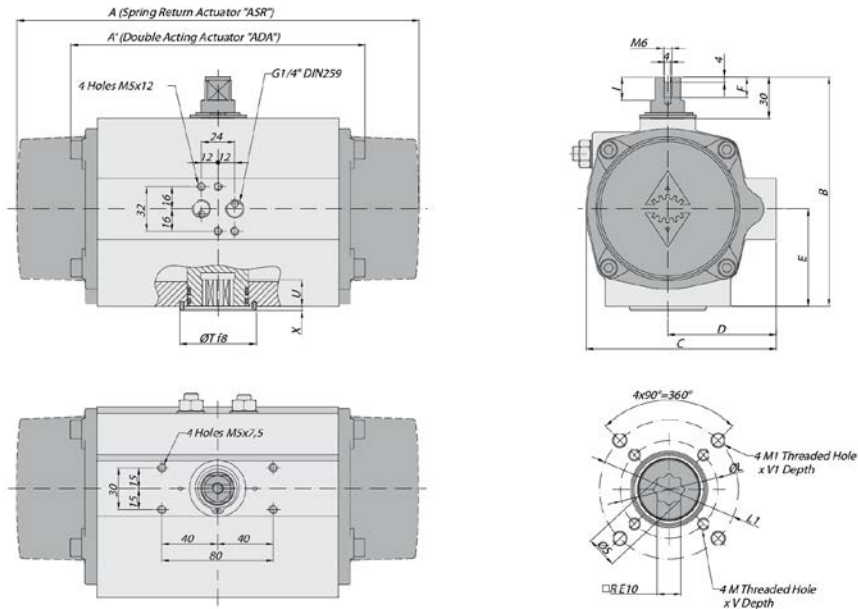
### DOUBLE ACTING ACTUATORS (ADA)



## PARTS & MATERIALS

Item	Description	Material	Item	Description	Material
1	Body	Aluminium Hard Anodized	23	Centering Ring	Nickel Plated Carbon Steel
2	Piston	Aluminium	24	Plug Air Stop	NBR
3	Pinion	Nickel Plated Carbon Steel	25	Slide Guide	Polyamide PA 6.6 + 30% G.F.
4	End Caps	Aluminium Epoxy Coated	26	Lower Pinion Bearing	Hostalen RCH 1000
5	Soft Pinion Washer	Polyamide PA 6.6	109	O-Ring	NBR
6	Slide piston	Polyamide PA 6.6 + 30% G.F.	110	O-Ring	NBR
8	Pinion Washer	Stainless Steel	111	O-Ring	NBR
10	Upper Pinion Bearing	Hostalen RCH 1000	113	Bolt	Stainless Steel
12	Stop	ASTM A-105	118	O-Ring	NBR
14	(*) Spring's Long Support	Polyamide PA 6.6	119	O-Ring	NBR
15	(*) Spring's short Support	Polyamide PA 6.6	125	Washer	Stainless Steel
16	Levelling Screw	Stainless Steel	913	Set Screw	Stainless Steel
18	(*) Bolt	Stainless Steel	471	External Circlip	Stainless Steel
19	(*) Spring	DIN 2076 -D-5.6	934	Nut	Stainless Steel
20	Position Indicator	Polyamide	985	(*) Nut	Stainless Steel
21	Cam	Polyamide			

(\*) Only for serie ASR.



### DIMENSIONS

A	A'	B	C	D	E	F	I	R	ØS	ISO 5211	ØL	M x V	ISO 5211	ØL1	M1 x V1	ØT	X	U
348,5	273	182	152,5	86	80	12	12,5	22	28,5	F07	70	M8x16	F10	102	M10x16	70	3	24

(\*) Dimensions in mm.

### GENERAL CHARACTERISTICS

<b>DESIGN STANDARDS</b>	Serie ADA Serie ASR	Actuator Actuator	Double Spring	Acting Return
Mounting of solenoid valves	NAMUR Std.			
Mounting of devices	NAMUR VDI		NAMUR VDE 3845 Std.	
Coupling according	ISO 5211		DIN 3337	
Marking	Ex II 2 G D c LCIE 05 AR 022		According to EN 15714-3	
<b>TESTS AND CERTIFICATES</b>				
Quality assurance	ISO 9001		Safety Integral level 3 (SIL3)	

Max. Pressure	Rotation	Screw stroke Adjustment	Chamber Ø (mm)	Air Volume (L)		Stroke Time Sec. (A)		Operating Temperature (°C)				
				Opening	Closing	Opening	Closing	STD (standard)	HT (high temp.)	LT (low temp.)		
8 bar	90° ±5°	For 1° Need ¼ Turn	120,5	1,96	1,73	D	0,30	D	0,40	NBR "O" Ring	FPM "O" Ring	Silicone "O" Ring
						S	0,70	S	0,85	-30° to +100°	-15° to +150°	-40° to +80°

### DOUBLE ACTING ACTUATOR "ADA" TORQUE OUTPUT IN Nm

TYPE	Output Torque For Double Acting in Nm												Weight (Kg)								
	3 bar		3,5 bar		4 bar		4,5 bar		5 bar		5,5 bar			6 bar (A)		6,5 bar		7 bar		8 bar	
Pressure	0°	90°	0°	90°	0°	90°	0°	90°	0°	90°	0°	90°	0°	90°	0°	90°	0°	90°	0°	90°	
D	145		170		194		218		242		267		291		315		339		388		8,5

### SPRING RETURN ACTUATOR "ASR" TORQUE OUTPUT IN Nm

TYPE	Output Torque for Spring Return in Nm												Spring stroke		Weight (Kg)								
	3 bar		3,5 bar		4 bar		4,5 bar		5 bar		5,5 bar		6 bar (A)			6,5 bar		7 bar		8 bar			
Pressure	0°	90°	0°	90°	0°	90°	0°	90°	0°	90°	0°	90°	0°	90°	0°	90°	0°	90°	0°	90°	END	STAR	
S06	102	75	126	99	151	123	175	148	199	172	223	196	247	220	272	245	296	269	344	317	51	83	9,65
S08			112	76	136	100	160	124	185	148	209	173	233	197	257	221	281	245	330	294	68	111	9,92
S10					122	76	146	101	170	125	194	149	219	173	243	198	267	222	315	270	85	138	10,20
S12							131	77	156	101	180	126	204	150	228	174	253	198	301	247	102	166	10,50
S14 (A)											165	102	190	126	214	151	238	175	287	223	119	193	10,80

(A) Standard construction.



**ACTREG, S.A. (Headquarters)**

C/ Cantabria, 2  
Polígono Industrial Les Salines  
08830 Sant Boi del Llobregat  
Barcelona (Spain)  
Phone +34 93 661 44 10  
Fax +34 93 654 33 93

[actreg@actreg.com](mailto:actreg@actreg.com)

**ACTREG do Brasil, Sorocaba (SP)**

Avenida Liberdade, 4565  
Bairro Iporanga - Sorocaba - SP  
CEP 18.087-170  
Sao Paulo, Brasil  
Phone: 0055 (0) 15 3228 1010  
Fax: 055 (0) 15 3235 9511

[actreg@actregdobrasil.com.br](mailto:actreg@actregdobrasil.com.br)

**ACTREG Shanghai Actuator Co. Ltd.**

No.658, Block A, Qiang Ye Road  
SheShan Industrial Zone  
SongJiang District, Shanghai  
P.R.C. 201602

Phone: 0086 21 57796818  
Fax: 0086 21 57792426

[sale@actreg.net.cn](mailto:sale@actreg.net.cn)

**ACTREG UK, LTD**

Units 2 & 3 Henson Close  
Telford Way Industrial Estate  
Kettering Northants NN 16 8PZ  
United Kingdom

Phone: 0044 1536412525  
Fax: 0044 1536521616

[sales@actreg.co.uk](mailto:sales@actreg.co.uk)

**ACTREG North America**

20201 Clark Graham  
Baie D'Urfè, Québec  
H9X 3T5 Canada

Phone: 001 514 457 5777  
Fax: 001 514 457 1348

Toll Free: 1 800 667 4819  
[jr@trueline.ca](mailto:jr@trueline.ca)

For further information visit our website

[www.actreg.com](http://www.actreg.com)