

Transparent level gauge type glass-mica

One sight opening, lateral connection

Application and function

The transparent level gauge is a direct water level gauge with illumination which can be used for steam generators. In the sight opening, the water level is visible at the interface between water level and steam. The product corresponds to the PED directive 97/23/EEC art. 3 par. 3 SEP (Sound Engineering Practice). Applied rules as per TRD/AD200 or ASME-Boilers.

Technical basic equipment

- Body material carbon steel
- As left sided (mapped) or right sided model
- Sight lengths see table
- With drain valve and ventilation plug
- Illumination device IP67
- Shutoff valve type A130, A150 and A220
- Drain valve type AV500, AV 520

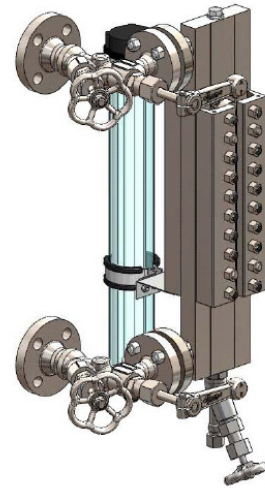
Available (optional) versions

- Body material according to ASME
- Other drain valve on request

Technical data

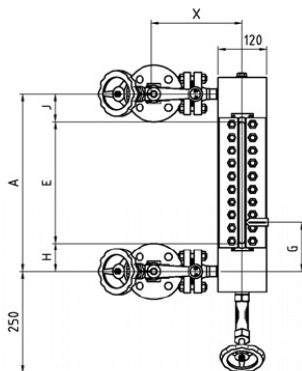
Allowable pressure	PS [bar]	20	32	50	80
Allowable temperature	TS [° C]	215	239	265	296
Shutoff valve	Type	A130		A150	
	Data sheet	D-09-D-16354-0		D-09-D-16355-0	
	Type	A220			
	Data sheet	D-09-D-16356-0			
Drain valve	Type	AV500		AV520	
	Data sheet	D-09-D-16358-0			

Illumination					
LS-N-02			LS-N-02-S		
IP67	110-230V / 50-60 Hz		IP66	110-230V / 50-60 Hz	
With integrated ballast unit and plug			With integrated ballast unit and terminal box with main switch		
D-A1-D-16381-0			D-A1-D-16388-0		

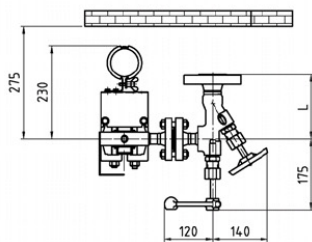
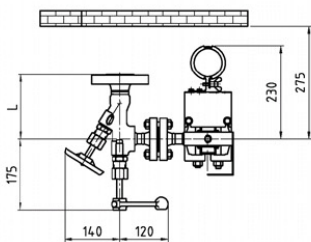
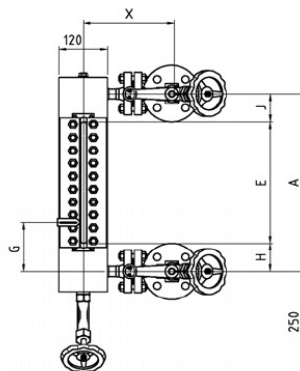


Dimensions and tables

Left sided model



Right sided model



Size		5	6	7	8	9	10	11
Sight length	E	200	230	260	300	320	350	400
Dimension	H/J _{min} [mm]	25						
	H/J _{max} [mm]	On request						



Information:

Depending on the size and version of the level gauge the customer has to arrange a sufficient brace support (eg. spring suspension etc.)





Dimensions and tables

Allowable pressure PS [bar]	Valve	Flange	Welding end	X [mm]	L [mm]
20-32	A130	DN20 DIN 2365-C		210	140
20-32	A130	DN25 DIN 2635-C		210	119
20-32	A130		DN20 DIN 3229	210	130
20-32	A130		DN25 DIN 3229	210	130
20-32	A220	DN20 DIN 2635-C		210	170
50-80	A150	DN25 DIN 2638-E		220	129
50-80	A220	DN25 DIN 2638-E		220	159
50-80	A220		DN25 DIN 3229	220	160

